



The next-generation-now horizontal single-axis solar tracker



TECHNICAL DATASHEET

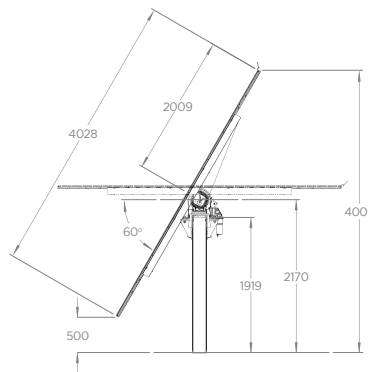


MAIN FEATURES

Tracking System	Horizontal Single-Axis with independent rows		
Tracking Range	up to $\pm 60^\circ$		
Drive System	Enclosed Slewing Drive, DC Motor		
Power Supply	AC/DC Universal Input Optional: Self-Powered PV Series		
Tracking Algorithm	Astronomical with TeamTrack Backtracking		
Communication	RS-485 cable not included in Soltec scope		
	Wire	RS-485 Full Wired	
	Optional: Wireless	Hybrid Radio + RS-485 Cable	
Wind Resistance	Per Local Codes		
Land Use Features			
	Independent Rows	YES	
	Slope North-South	up to 17%	
	Slope East-West	Unlimited	
	Ground Coverage Ratio	Configurable. Typical range: 30-50%	
Foundation	Driven Pile Ground Screw Concrete		
Temperature Range			
	Standard	- 4°F to +131°F -20°C to +55°C	
	Extended	-40°F to +131°F -40°C to +55°C	
Availability	>99%		
Modules	First Solar Series 6		

MODULE CONFIGURATIONS

1500V	Length	Height	Width
2x24	30 m (98' 5")	4 m (15' 2")	4 m (14' 6")
2x30	37.4 m (122' 11")		
2x36	44.9 m (147' 5")		



SERVICES

Pull Test Plan	Commissioning Plan
Factory Support Plan	Operation & Maintenance Plan
Onsite Advisory Plan	Tracker Monitoring System Plan
Construction Plan	Solmate Customer Care

MAINTENANCE ADVANTAGES

- Self-lubricating Bearings
- Face to Face Cleaning Mode
- 2x Wider Aisles

WARRANTY

- Structure 10 years (extendable)
- Motor 5 years (extendable)
- Electronics 5 years (extendable)

SPAIN / Headquarters
 Pol. Ind. La Serreta
 Gabriel Campillo, s/n, 30500
 Molina de Segura, Murcia, Spain
 info@soltec.com
 +34 968 603 153

MADRID
 Núñez de Balboa 33, 1ªA
 28001 Madrid
 emea@soltec.com
 +34 91 449 72 03

UNITED STATES
 usa@soltec.com
 +1 510 440 9200

BRAZIL
 brasil@soltec.com
 +55 071 3026 4900

MEXICO
 mexico@soltec.com
 +52 1 55 5557 3144

CHILE
 chile@soltec.com
 +56 2 25738559

PERU
 peru@soltec.com
 +51 1422 7279

INDIA
 india@soltec.com
 +91 124 4568202

AUSTRALIA
 australia@soltec.com
 +61 2 9275 8806

CHINA
 china@soltec.com
 +86 21 66285799

ARGENTINA
 argentina@soltec.com
 +54 9 114 889 1476

EGYPT
 egypt@soltec.com

B&V Bankability report
DNV GL Technology
Review available
RWDI WIND TUNNEL TESTED



soltec.com

Contents subject to change without prior notice © Soltec Energías Renovables • SF7.200303.V2